

Main Features:-

- ◆ Lugged and Tapped Butterfly Valve NBR Liner
- ◆ Suits PN10 / PN16 Flanges
- ◆ 1 1/2" to 24" Available on Quick Delivery
- ◆ -10 to + 80C Temperature Rating PN16*
- ◆ Lever Op. 1 1/2" to 12", Gearbox 14" to 24"

*Temperature and pressure determined by valve body, seat etc.

Suitable Applications & Approvals:



INDUSTRY

HVAC

WATER

Use different part numbers for different liner materials.



SERIES: 20009

MANUFACTURER:

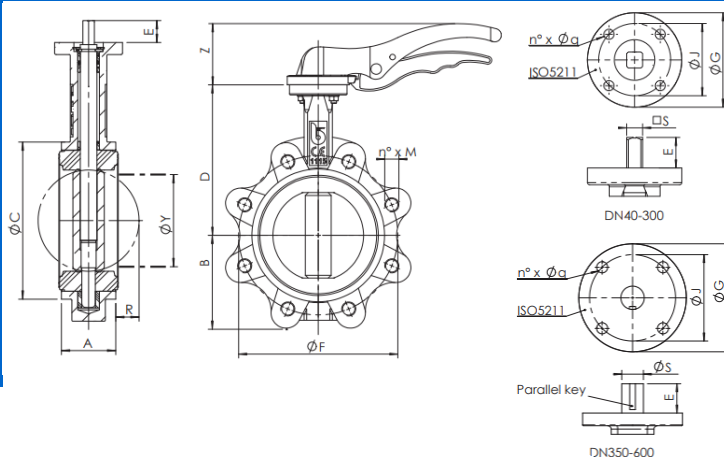


SIZE	CODE	A	C	D	B	ISO	STEM	G	J	Nm 10BAR	Nm 16BAR	Kg
1 1/2"	20009-08	33	82	116	63	F05	9	65	50	8.8	9.2	2.3
2"	20009-09	43	89	126	62	F05	9	65	50	13.0	13.0	3.2
2 1/2"	20009-10	46	102	136	69	F05	9	65	50	20.0	21.0	4.1
3"	20009-11	46	118	150	90	F05	11	65	50	26.0	28.0	5.4
4"	20009-12	52	150	170	106	F05	11	65	50	40.0	44.0	6.7
5"	20009-13	56	174	180	119	F07	14	90	70	61.0	68.0	9.6
6"	20009-14	56	205	200	131	F07	14	90	70	88.0	99.0	10.8
8"	20009-16	60	260	230	166	F10	17	125	102	148.0	162.0	21.1
10"	20009-18	68	318	266	202	F12	27	150	125	234.0	257.0	32.7
12"	20009-20	78	376	292	235	F12	27	150	125	342.0	367.0	50.5
14"	20009-22	78	438	368	267	F12	27	150	125	663.0	743.0	79.3

* Up to 16" WRAS approved, sales team can provide specification and dimensions for 16" to 24" on request. Nm includes no safety factor

VALVE DIMENSIONS

DIMENSIONAL DRAWING OF VALVE



MATERIALS OF CONSTRUCTION

BODY	DUCTILE IRON
DISC	Aluminium Bronze
LINER	NBR
BUSHING	PTFE
ORINGS	VITON
Lever 1 1/2" to 6"	Aluminium
Lever 8" to 10"	Ductile Iron
Stem	Stainless Steel

T +44 (0)1386 552369

E sales@allvalves.co.uk

W www.allvalves.co.uk

F +44 (0)1386 554227



What is WRAS? This is the approval required for valves to be used for applications where Potable (drinking) water is being processed/ used. This valve's WRAS certificate is available on request.

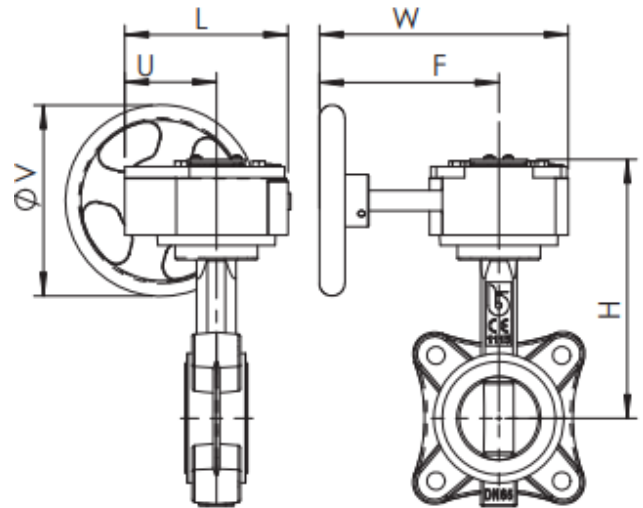
SERIES: 20009

MANUFACTURER:

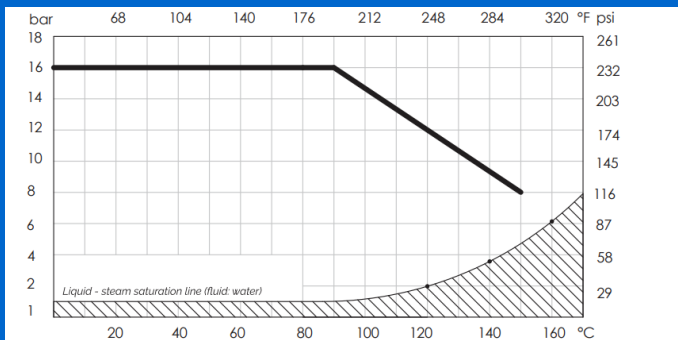


SIZE	CODE	L	U	H	W	F	V
12"	20009-20	205	124	372	345	260	300
14"	20009-22	205	124	415	345	260	300
16"	20009-24	278	118	457	291	167	380
18"	20009-26	278	118	519	291	167	380
20"	20009-28	277	107	607	379	207	285
24"	20009-32	323	131	693	428	256	285

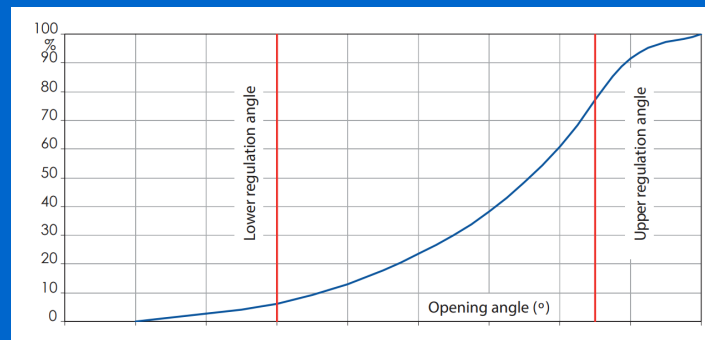
GEARBOX DIMENSIONS



PRESSURE & TEMP CHART



FLOW CHART - Kv RATES BE-



SIZE	CODE	10	20	30	40	50	60	70	80	90
1 1/2"	20009-08	0.04	2.1	4.8	10	19	30	48	73	79
2"	20009-09	0.05	2.6	6	13	23	38	60	91	99
2 1/2"	20009-10	0.09	3.8	14	33	53	75	98	108	108
3"	20009-11	0.17	7.8	16	34	60	100	158	237	261
4"	20009-12	0.26	15	31	67	120	199	314	471	518
5"	20009-13	0.43	25	53	115	205	339	535	803	883
6"	20009-14	0.69	39	82	177	316	522	827	1241	1364
8"	20009-16	2.6	52	142	250	450	713	1122	1723	2716
10"	20009-18	2.6	130	276	599	1068	1768	2798	4196	4611
12"	20009-20	3.5	202	427	926	1650	2730	4322	6483	7124
14"	20009-22	5.2	292	617	1376	2384	3945	6243	9364	10291
16"	20009-24	6.9	401	849	1839	3279	5425	8585	12878	14152
18"	20009-26	9.5	531	1124	2437	4342	7185	11371	17057	18743

PRESSURE / TEMPERATURE / CV CHARTS

T +44 (0)1386 552369

W www.allvalves.co.uk

E sales@allvalves.co.uk

F +44 (0)1386 554227